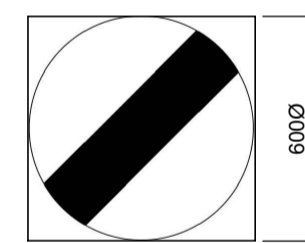


DIAG 544.1

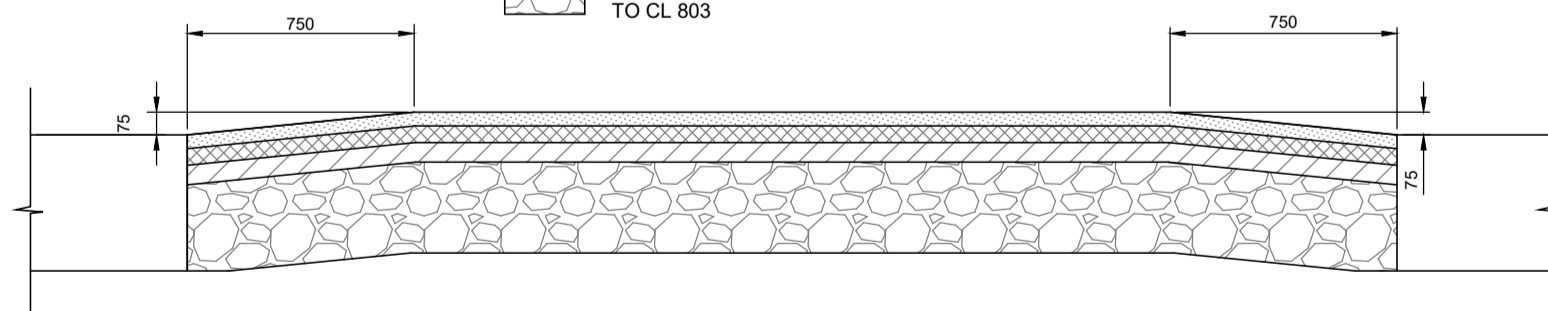


DIAG 670



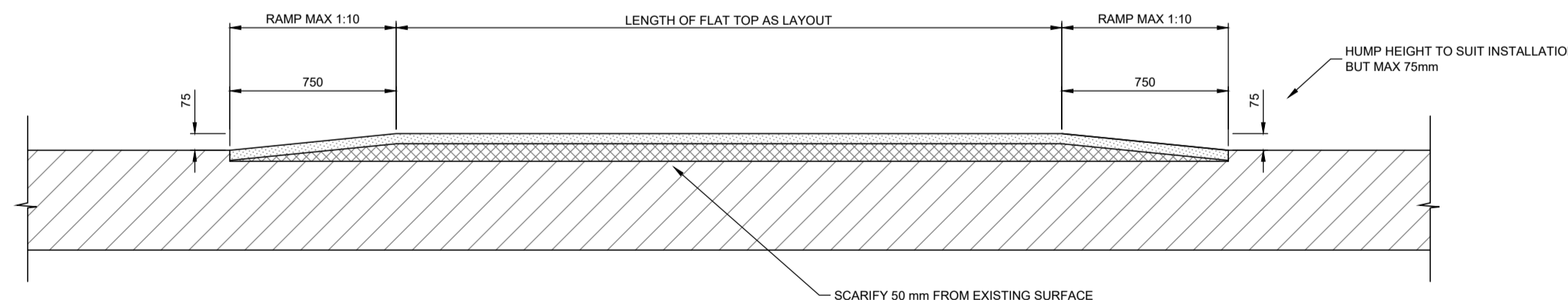
DIAG 671

- 45mm HOT ROLLED ASPHALT SURFACE COURSE TO CL 910 WITH 14mm RED COATED CHIPPINGS TO CL 915
- 55mm DENSE ASPHALT CONCRETE BINDER COURSE - AC 20 TO CL 906
- 65mm DENSE ASPHALT CONCRETE BASE - AC 32 TO CL 906
- 300mm GRANULAR SUB-BASE MATERIAL TYPE 1 TO CL 803

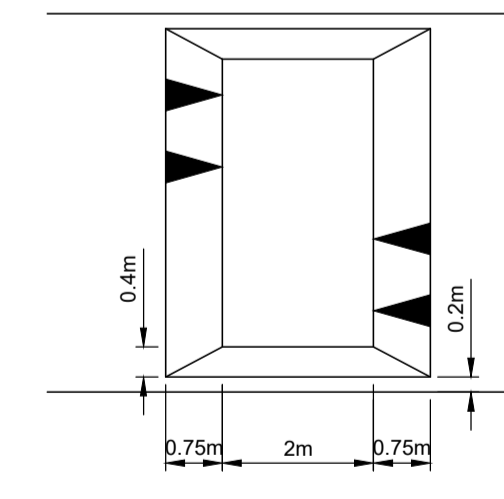


LONGITUDINAL SECTION THROUGH NEW RAISED TABLE JUNCTION AT NEW DEVELOPMENT
(SCALE 1:25)

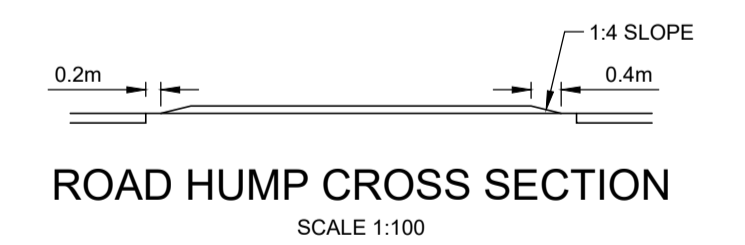
- 45mm HOT ROLLED ASPHALT SURFACE COURSE TO CL 910 WITH 14mm COATED CHIPPINGS TO CL 915
- DENSE ASPHALT CONCRETE BINDER COURSE - AC 20 TO CL 906 DEPTH VARIES



LONGITUDINAL SECTION THROUGH FLAT TOPPED ROAD HUMP / RAISED TABLE ON ROWAN PARK JUNCTION
(SCALE 1:25)



ROAD HUMP DETAIL
SCALE 1:100



ROAD HUMP CROSS SECTION
SCALE 1:100

Revisions	Date	Drn	Revisions	Date	Drn
G BOLLARDS REVISED. OFFLET KERBS ADDED AT BUILD OUT	08.04.21	IW	A FEATURES REVISED AND CENTRES REDUCED	28.11.19	JM
H ISSUED FOR CONSTRUCTION	21.12.21	IM	B LAYOUT UPDATED	05.02.21	IM
I CALMING REVISED	24.02.22	IM	C CARR ROAD TRAFFIC CALMING REVISED TO SPEED CUSHIONS.	19.02.21	NM
J ADDITIONAL HUMP ADDED	18.03.22	IM	D TRAFFIC CALMING REVISED	12.03.21	NM
K RAISED TABLE AT ROWAN PARK ROAD REPLACED WITH FLAT TOP HUMP	18.11.24	FC	E CUSHIONS AT CARR PLACE REVISED	22.03.21	NM
			F BUILD OUT ADDED AT CUSHIONS. CONSTRUCTION DETAILS ADDED.	24.03.21	IW

TULLOCH HOMES LTD

CONSTRUCTION DRAWING

consulting engineers

hga

HGA(UK) Ltd
Darach House
Stonefield Business Park
Inverness IV2 7PA
T: 01463 221717
F: 01463 224275
email: hga@hga-group.co.uk

CARRBRIDGE

CARR ROAD TRAFFIC CALMING SHEET 3 OF 3		
Drawn: JM	Ck'd	Scale: 1:250 (A1)
Date: NOV 2019	Date:	DO NOT SCALE
Drawing No. 2407:200/03	Revision	K