

000002

Treecraft Woodwork Ltd

For the attention of
Alice Morgan
Tain

Quotation No: 10D-015

Page: 1

Date: 05.02.2010

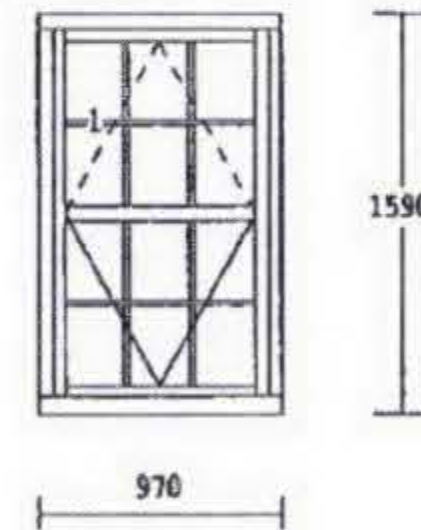
Site address: Tain

Dear Sirs,

We thank you for your interest in our quality windows and doors, and we are pleased to quote, according to our sales and delivery terms, as follows:

Item	Quantity	Description	I-Price £	T-Price £
------	----------	-------------	--------------	--------------

1	1 pcs.	REVERSIBLE WINDOW - 92mm Frame 1 x 56mm REV SASH+ALU BEAD + VENT Fitting: 1 x Reversible + Vent-ESP Timber : Meranti 1 x 4/16/4 Clear + Low E-argonfill Super Spacer-warm edge 1 x 4/16/4 Tgh + Low E,Tgh-argon Super Spacer-warm edge Finish : White F.Finish 62mm SASH TRANSOM Alu Bead PLANT ON ASTRAGALS INT & EXT ESPAG HANDLE-BRASS Dim : 970 x 1590	766.45	766.45
---	--------	--	--------	--------



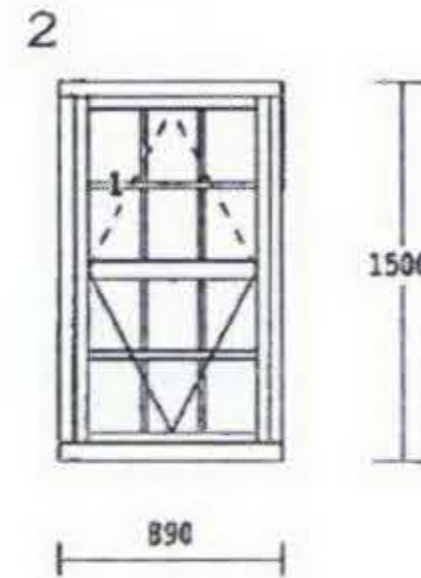
Hangings and sketches viewed from OUTSIDE

Carry over: 766.45

Quotation-no.: 10D-015 of 05.02.2010,

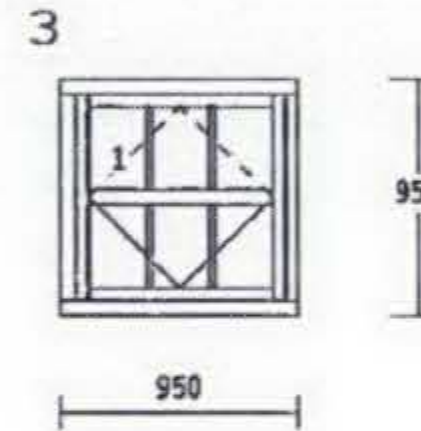
Page

Item	Quantity	Description	I-Price £	T-Price £
2	1 pcs.	REVERSIBLE WINDOW - 92mm Frame 1 x 56mm REV SASH+ALU BEAD + VENT Fitting: 1 x Reversible + Vent-ESP Timber : Meranti 1 x 4/16/4 Clear + Low E-argonfill Super Spacer-warm edge 1 x 4/16/4 Tgh + Low E,Tgh-argon Super Spacer-warm edge Finish : White F.Finish 62mm SASH TRANSOM Alu Bead PLANT ON ASTRAGALS INT & EXT ESPAG HANDLE-BRASS Dim : 890 x 1500	711.88	711.88



Hangings and sketches viewed from OUTSIDE

3	2 pcs.	REVERSIBLE WINDOW - 92mm Frame 1 x 56mm REV SASH+ALU BEAD + VENT Fitting: 1 x Reversible + Vent-ESP Timber : Meranti 2 x 4/16/4 Clear + Low E-argonfill Super Spacer-warm edge Finish : White F.Finish 62mm SASH TRANSOM Alu Bead PLANT ON ASTRAGALS INT & EXT ESPAG HANDLE-BRASS Dim : 950 x 950	522.81	1,045.62
---	--------	---	--------	----------



Hangings and sketches viewed from OUTSIDE

Net sum		2,523.95
17.5% V. added tax	17.50 %	441.69
Net sum		2,965.64

The costs and details contained in this quotation will be held firm for a period of 60 days from time of issue, changes to specifications may incur extra costs that would be communicated to you before acceptance of any order placed.

If you have any queries, please contact us.

We look forward to hearing from you in due course.

Yours sincerely,

19 APR 2010

RECEIVED

You may only use material which is downloaded and/or printed for consultation purposes, to confirm current applications with previous schemes and to check that development applications have been completed in accordance with the approved plans.
 Further copies must not be made without the prior permission of the copyright owner.
 The Highland Council
 Comhairle na Gàidhealtachd
 Plans, drawings and other material submitted to the local authority are protected by the Copyright, Designs and Patents Act 1988 (section 47).

