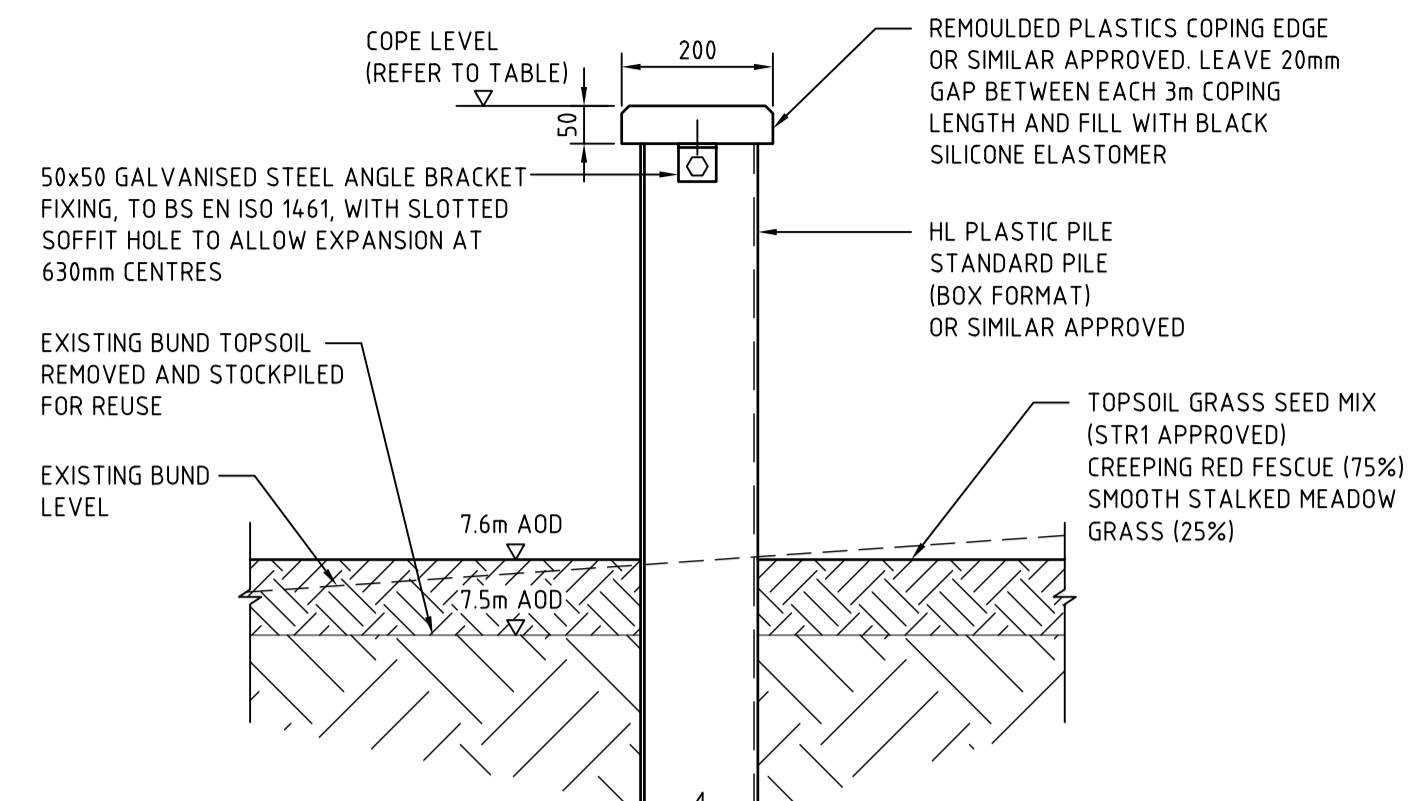
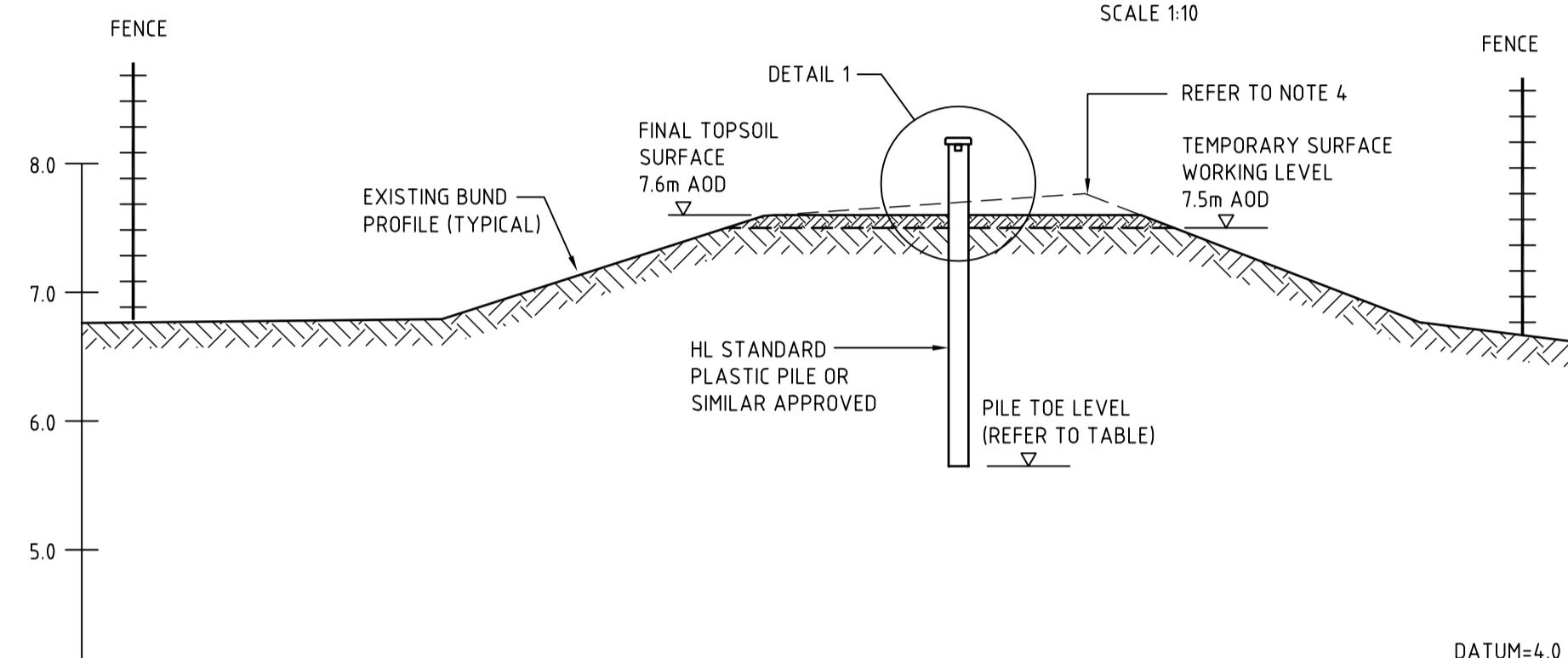


SHEET PILE EXTENT & LEVELS	
WEST BUND (POINTS A - B)	
COPE LEVEL	8.2m AOD
PILE TOE LEVEL	5.65m AOD
NORTH BUND (POINTS B - J)	
COPE LEVEL	8.0m AOD
PILE TOE LEVEL	5.15m AOD

SHEET PILE CENTRE LINE CO-ORDINATES TO BE CONFIRMED ON SITE	
POINT A	253392.080E, 859316.490N
POINT B	253336.216E, 859723.652N
POINT C	253450.692E, 859695.793N
POINT D	253461.935E, 859695.344N
POINT E	253500.265E, 859688.426N
POINT F	253529.661E, 859687.552N
POINT G	253553.390E, 859702.015N
POINT H	253572.470E, 859702.505N
POINT I	253581.791E, 859706.396N
POINT J	253581.316E, 859707.563N

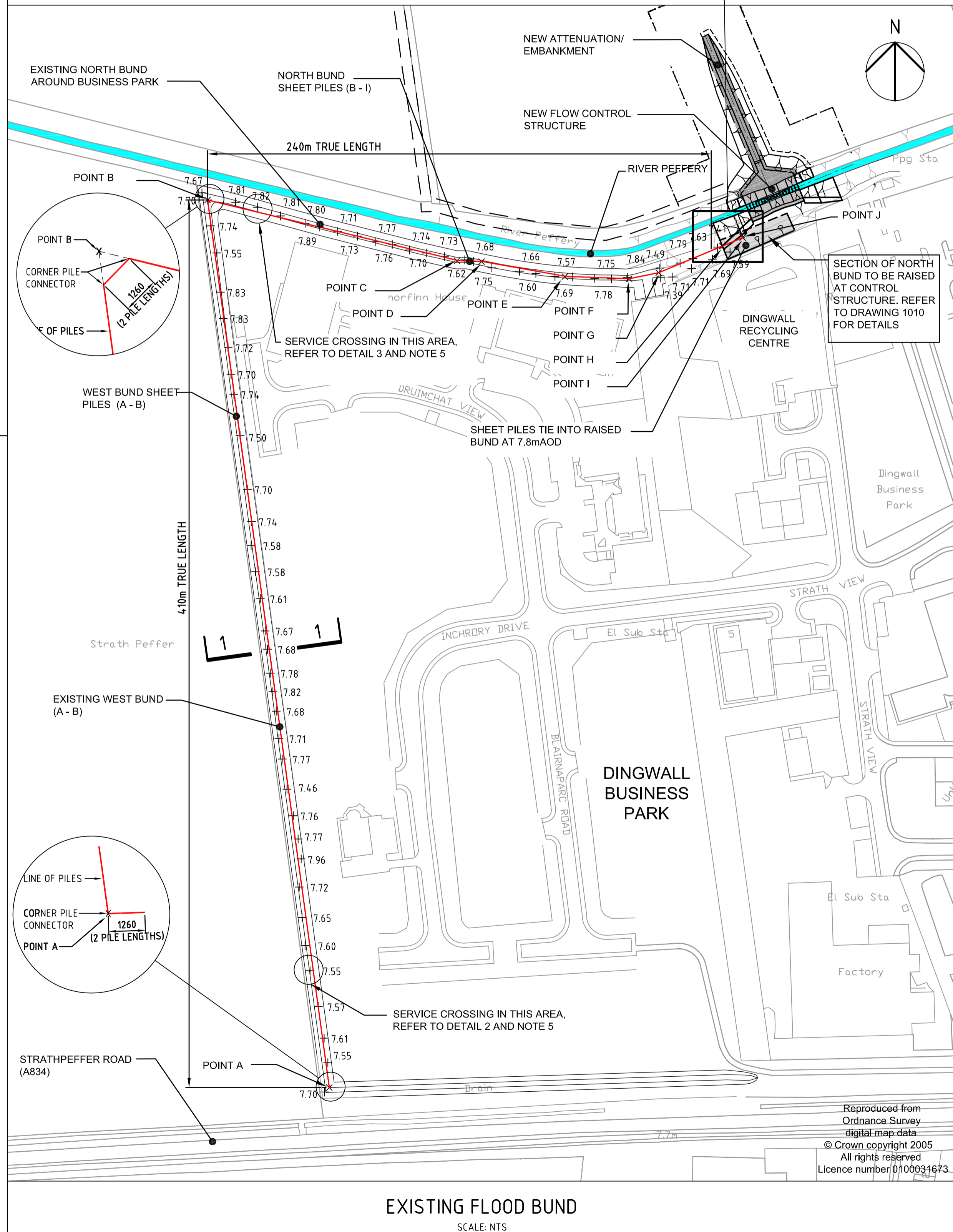


DETAIL 1
SCALE 1:10

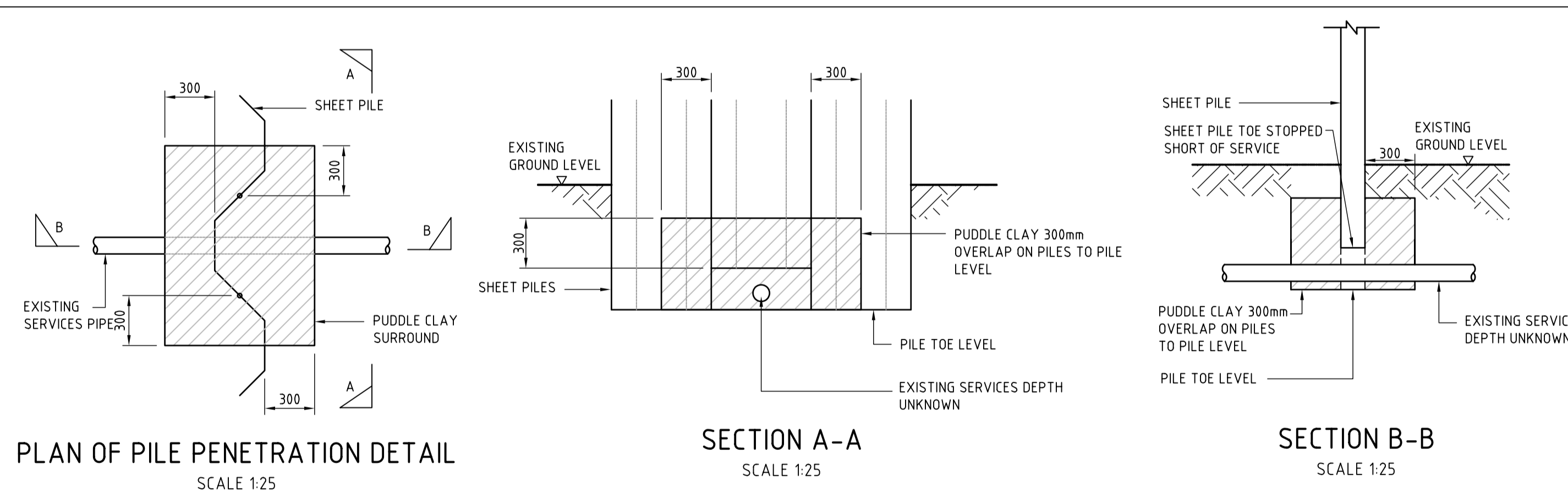


SECTION 1-1 TYPICAL BUND RAISING
SCALE 1:50

	0.00	0.40	2.80	5.30	7.80	10.40	11.20
EXISTING GROUND LEVEL (m)	6.762		6.792		7.594		7.767
PROPOSED GROUND LEVEL (m)				7.60		7.60	
CHAINAGE (m)							



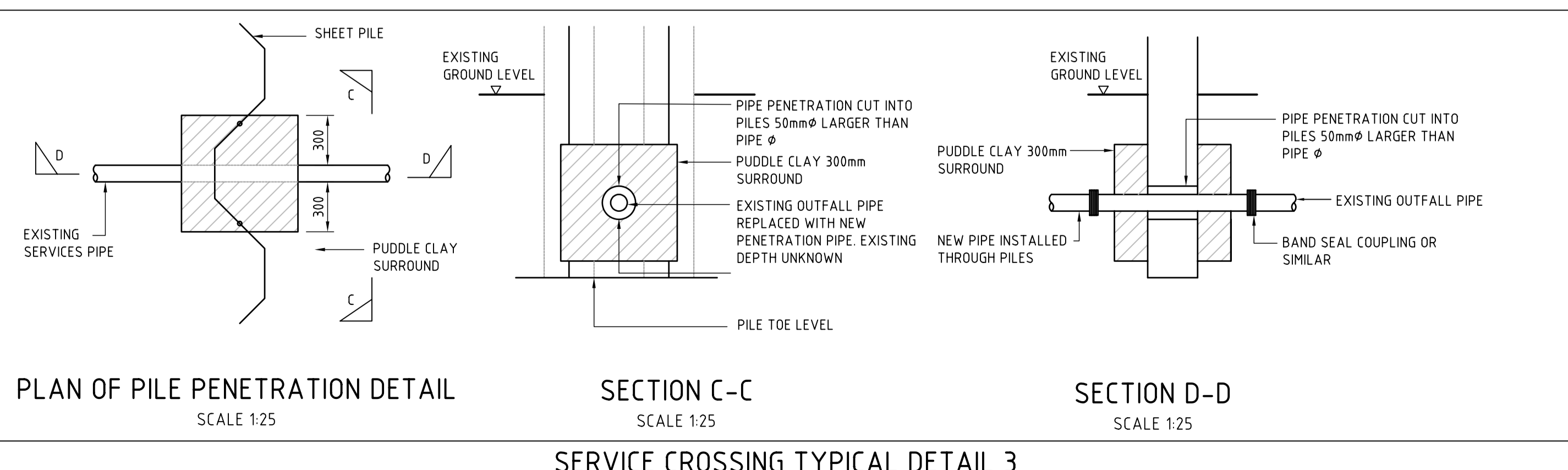
EXISTING FLOOD BUND
SCALE: NTS



PLAN OF PILE PENETRATION DETAIL
SCALE 1:25

SECTION A-A
SCALE 1:25
SERVICE CROSSING TYPICAL DETAIL 2

SECTION B-B
SCALE 1:25



PLAN OF PILE PENETRATION DETAIL
SCALE 1:25

SECTION C-C
SCALE 1:25
SERVICE CROSSING TYPICAL DETAIL 3

SECTION D-D
SCALE 1:25

SAFETY, HEALTH AND ENVIRONMENTAL INFORMATION BOX
NOTES: THIS DRAWING IS TO BE READ IN CONJUNCTION WITH THE RISK REGISTER PRODUCED FOR INCLUSION IN THE HEALTH AND SAFETY PLAN. THE HAZARDS NOTED ARE IN ADDITION TO THE NORMAL HAZARDS AND RISKS FACED BY A COMPETENT CONTRACTOR WHEN DEALING WITH THE TYPE OF WORKS DETAILED ON THIS DRAWING.

CONSTRUCTION RISKS
1) Unrecorded or buried existing services
Pre-Works surveys to identify and locate services, utilising cable and pipe locating devices. Method statements and risk assessments taking account of services.
2) High water/flow conditions
Construction works in watercourse. Raise awareness and method/risk assessments for monitoring water levels, including emergency evacuation procedures and temporary works to deal with a high flow event during construction.

OPERATION / MAINTENANCE RISK
1) High water / flows during maintenance
Raise awareness and method/risk assessments for monitoring water levels, including emergency evacuation procedures. Undertake planned maintenance during periods of dry weather with low flows.

DEMOLITION RISKS

NOTES

- ALL DIMENSIONS ARE IN MILLIMETRES (U.N.O.)
- ALL CHAINAGES AND CO-ORDINATES ARE IN METRES.
- ALL LEVELS ARE IN METRES ABOVE ORDNANCE DATUM (AOD).
- EXISTING BUND WORKS:**
 - REMOVAL OF VEGETATION AND TREES INCLUDING STUMPS AND MAIN ROOTS OVER 2.5m CREST WIDTH.
 - EXISTING BUND PROFILE TO BE ADJUSTED TO SUIT NEW PROFILE.
 - EXCESS SOIL TO BE STOCKPILED FOR REUSE.
 - ANY INFILLING OF DEPRESSIONS OR VOIDS TO BE CARRIED OUT USING TYPE 7X MATERIAL.
- EXISTING SERVICES HAVE BEEN IDENTIFIED AT THESE LOCATIONS. THE DEPTH OF THE SERVICE IS UNKNOWN. THE CONTRACTOR SHALL VERIFY THE LOCATION AND DEPTH OF THE SERVICE IN RELATION TO THE WORKS. SHOULD THERE BE A CONFLICT, THE TYPICAL DETAILS 2 AND 3 SHALL BE ADOPTED AS APPROPRIATE.

Revision Details	By	Date	Suffix

Drawing Status: **PRELIMINARY**

Job Title: **KINNAIRDIE LINK ROAD**

Drawing Title: **FLOOD STORAGE EXISTING FLOOD BUND MODIFICATION DETAILS**

Scale at A1: NTS, 1:50, 1:10

Drawn	Approved
RTG	ER

Stage 1 check: [] Stage 2 check: []
Originated: ER Date: 24.04.12

URS Scott Wilson Ltd
23 Chester Street
Edinburgh
EH3 7EN
+44 (0) 131 225 1230
+44 (0) 131 225 5582
www.urs-scottwilson.com

Drawing Number: **S105716/1006**

